

FORMALIZING THE (REAL)  
ITALIAN LEGISLATIVE  
PROCESS

Paolo Coppola

UNDERESTIMATION OF THE  
EFFORT IN FORMALISATION OF  
ITALIAN LEGISLATIVE PROCESS

Paolo Coppola

*Before we start...*

*a little bit of personal “Amarcord”*

*Udine, on day in the past millennium*





*barely any change (except for my hair)*



# Informatics and Legislative process

Is it worth?

“There is no part of the digital revolution that cannot and should not be viewed from a human rights perspective. We need to constantly seek out and assess gaps in protection. This doesn’t just mean passing new laws that keep pace with digital developments, but also adapting the way we use institutions and processes.”

—*Michelle Bachelet, UN High Commissioner for Human Rights*  
*New York, 17 October 2019*



(...) laws that keep pace with digital developments...

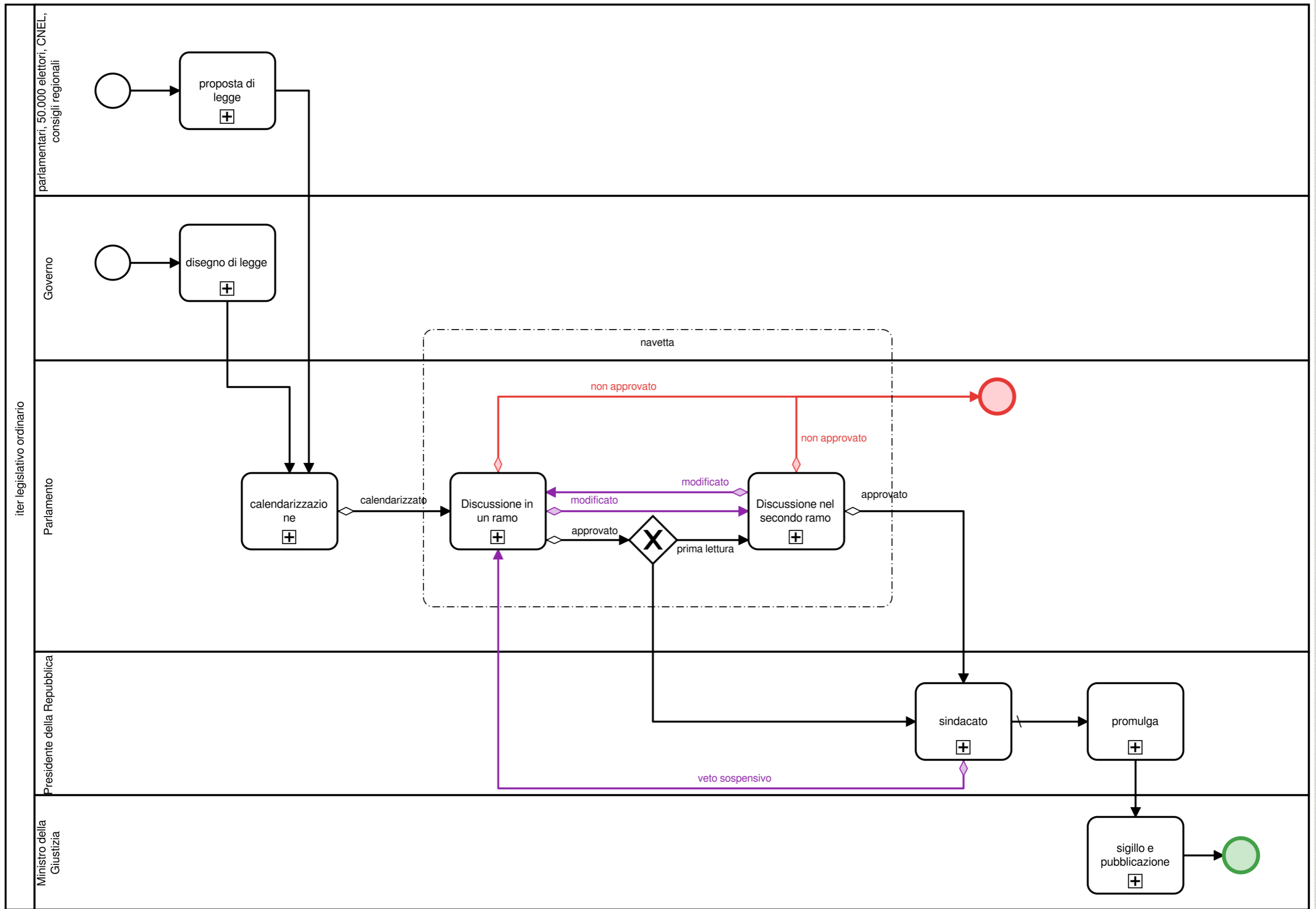
for example?

- Net neutrality
- BEPS
- Platforms openness and neutrality
- Monopoly
- Ethics for the digital age
- Privacy
- Hate speech
- Paradox of transparency of AI
- eVote
- eDemocracy
- Sharing economy
- Jobless society
- Social ranking
- Robot rights
- AI responsibility
- Digital rights
- Digital responsibilities
- Fake news
- Internet manipulation
- Right to Internet access

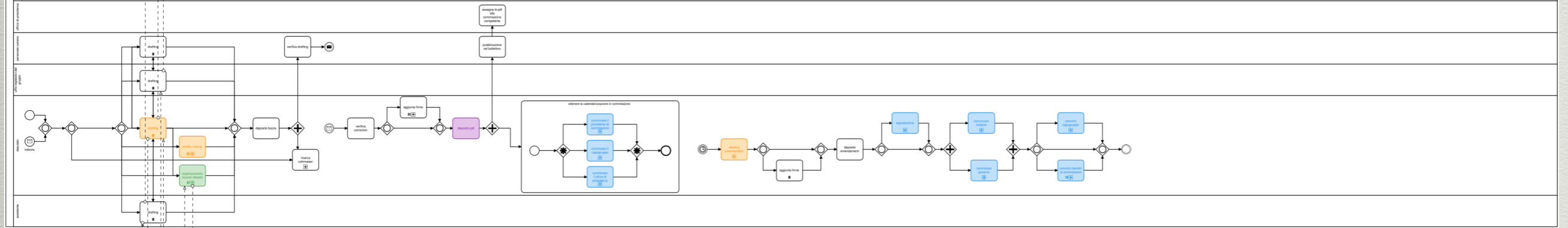
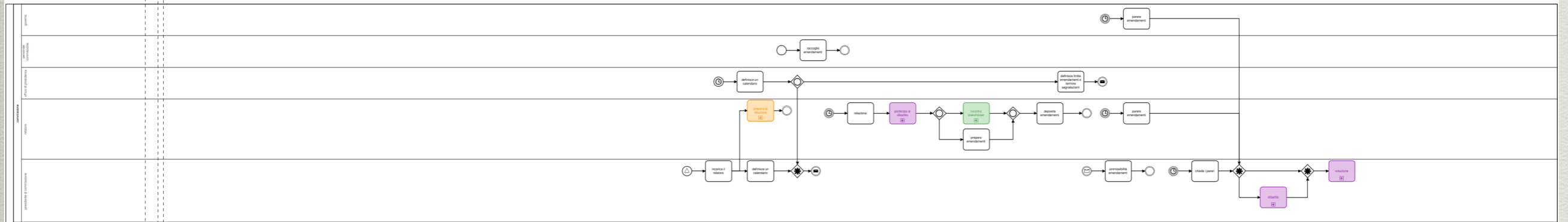
If you like laws and  
sausages, you should  
never watch  
either one being  
made

Otto von Bismarck





ufficio appalti ed emesse



partner (franchise, subbid, expert, consultant, offshorc, association, partner)

